

SG V 600 S/0**General Information**

The "SG V 600" gas burner is a blown-air burner which can operate with natural gas, LPG, lean gas and gas with low calorific power (on request).

Burner operation may be automatic or semiautomatic, and burner is equipped with electric ignition and detection electrode.

This burner is classified as a "high/average speed gas burner", with exhaust gases speed coming out from the combustion chamber racing from few m/s to 100 m/s, or even higher speed according to the outlet diameter of the burner cone.

Combustion air temperature may range from room temperature to 100°C.

Max. Thermal power is 6000 kW (5160 Mkal/h) and min. thermal power is 300 kW (258 Mkal/h).

Because of its flexibility, this burner may be adjusted with a wide capacity range up to a 20:1 ratio.

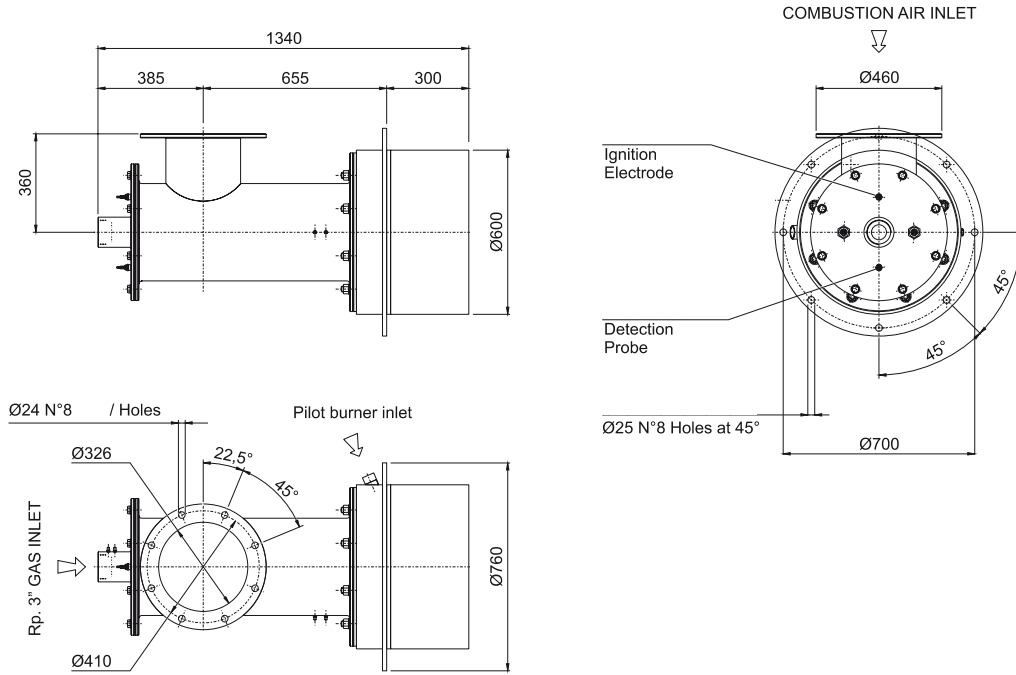
Features

- Direct spark ignition, ionization flame detection electrode.
- Combustion head for Natural gas or LPG.
- Turn down ratio 20 to 1.
- Available as packaged execution, with gas train according to EN 746-2 (or other required).
- Easy to install, to start, to operate.

Applications

- All types of kilns, suitable for oxidative, stoichiometric or reducing combustion.
- Ceramic, Bricks, Refractory:
 - Roller kilns, Tunnel kilns, Intermittent kilns, Melting kilns.
 - Continuous and Intermittent Dryers.
- Iron metallurgical Industry.
- Surfaces Treatment.
- Glass: Hardening ovens.
- Printing and Packing: Air Heaters for Rotogravures, Flexographic and Coupling and adhesive coating Machines.
- Food: Cereal Dryers, Roasters.
 - Drying Tobacco etc.
 - And furthermore, for any application which requires a wide regulation
- Automatic gas burner, capable of operating in a strong vacuum or with strong counter-pressure.

Overall dimensions (mm)



Technical data

Model	SG V 600 S/0.400	
Output Min.	300 kW (258 Mcal/h)	
Output Max.	6'000 kW (5'160 Mcal/h)	
Fuel	CH4 / LPG	
Combustion chamber Mat.	Concrete Casting	
Chamber Outlet Diameter	Ø400 mm	
Max. excess of air	100% a/at 3'000 kW (2'580 Mcal/h)	
Max. excess of gas	35% a/at 6'000 kW (5'160 Mcal/h)	
Flame diameter	500 mm	
Flame length	2.500 mm	
Gas supply pressure	45 mbar	
Air supply pressure	45 mbar	
Weight (Combustion chamber included)	350 kg	

The above mentioned performance data are described at their maximum power. Pressure showed are guidelines only. Gas pressures are refer to **Methane** and **LPG**.
Stoichiometric conditions

Performance data and dimensions are guidelines only.

Subject to modifications