

**SG V 07 S/62****General Information**

The "SG V 07" gas burner is a blown-air burner which can operate with natural gas, LPG, lean gas and gas with low calorific power (on request).

Burner operation may be automatic or semiautomatic, and burner is equipped with electric ignition and detection electrode.

This burner is classified as a "high/average speed gas burner", with exhaust gases speed coming out from the combustion chamber racing from few m/s to 100 m/s, or even higher speed according to the outlet diameter of the burner cone.

Combustion air temperature may range from room temperature to 100°C.

Max. Thermal power is 70 kW (60200 kcal/h) and min. thermal power is 3 kW (2580 kcal/h).

Because of its flexibility, this burner may be adjusted with a wide capacity range up to a 23:1 ratio.

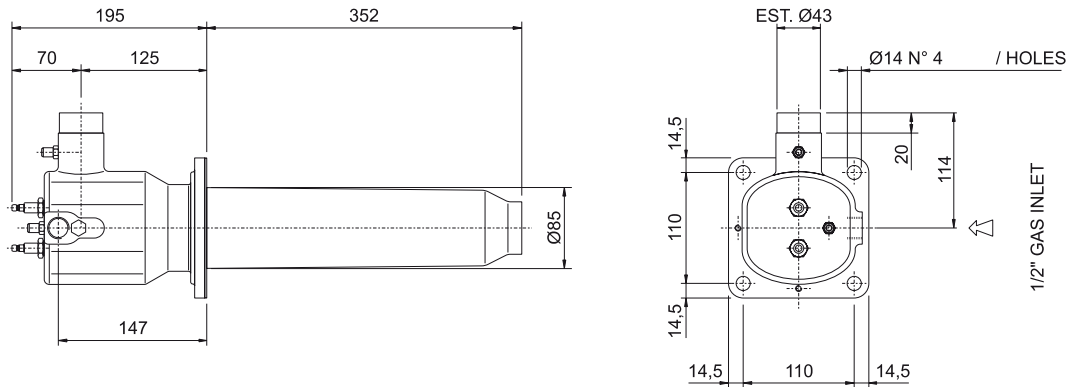
**Features**

- Direct spark ignition, ionization flame detection electrode.
- Combustion head for Natural gas or LPG.
- Turn down ratio 23 to 1.
- Available as packaged execution, with gas train according to EN 746-2 (or other required).
- Easy to install, to start, to operate.

**Applications**

- All types of kilns, suitable for oxidative, stoichiometric or reducing combustion.
- Ceramic, Bricks, Refractory:
  - Roller kilns, Tunnel kilns, Intermittent kilns, Melting kilns.
  - Continuous and Intermittent Dryers.
- Iron metallurgical Industry.
- Surfaces Treatment.
- Glass: Hardening ovens.
- Printing and Packing: Air Heaters for Rotogravures, Flexographic and Coupling and adhesive coating Machines.
- Food: Cereal Dryers, Roasters.
  - Drying Tobacco etc.
  - And furthermore, for any application which requires a wide regulation
- Automatic gas burner, capable of operating in a strong vacuum or with strong counter-pressure.

**Overall dimensions (mm)**



**Technical data**

Model	SG V 07 S/62.38		
Output Min.	3 kW (2'580 kcal/h)		
Output Max.	70 kW (60'200 kcal/h)		
Fuel	CH <sub>4</sub> / LPG		
Combustion chamber Mat.	Silicon Carbide		
Chamber Outlet Diameter	Ø38 mm		
Max. excess of air	100% a 35 kW (30'100 kcal/h)		
Max. excess of gas	35% a 70 kW (60'200 kcal/h)		
Flame diameter	60 mm		
Flame length	600 mm		
Gas supply pressure	54 mbar		
Air supply pressure	53 mbar		
Weight (Combustion chamber included)	7,0 kg		

The above mentioned performance data are described at their maximum power. Pressure showed are guidelines only. Gas pressures are refer to **Methane** and **LPG**.  
Stoichiometric conditions

Performance data and dimensions are guidelines only.

Subject to modifications



Plot No. 56 GIDC Estate, Phase - I  
Naroda, Ahmedabad-382 330 (INDIA)  
Tel.: +91 - 79 - 2280 5529 / 5530 / 5531  
Fax : +91 - 79 - 2280 5532  
E-mail : technical@suntecenergy.in