

RL/B MZ SERIES

RL/B MZ series burners are characterised by a modular monoblock structure that means all necessary components can be combined in a single unit thus making installation easier, faster and, above all, more flexible.

The series covers a firing range from 1250 to 4450 kW, and they have been designed for use in hot water boilers, overheated water boilers as well as steamboilers.

Operation is 2 stages.

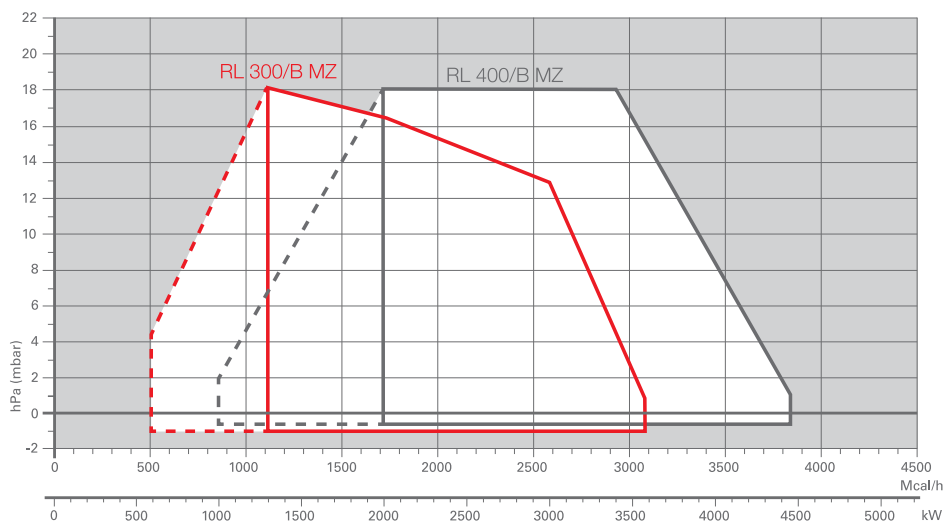
The innovative combustion head is able to reach good performances in term of Low NOx and helps in reducing noise emissions.



LIGHT OIL

RL 300/B MZ	600/1250 ÷ 3550 kW
RL 400/B MZ	1000/2000 ÷ 4450 kW

FIRING RATES



Useful working field for choosing the burner



Modulation range

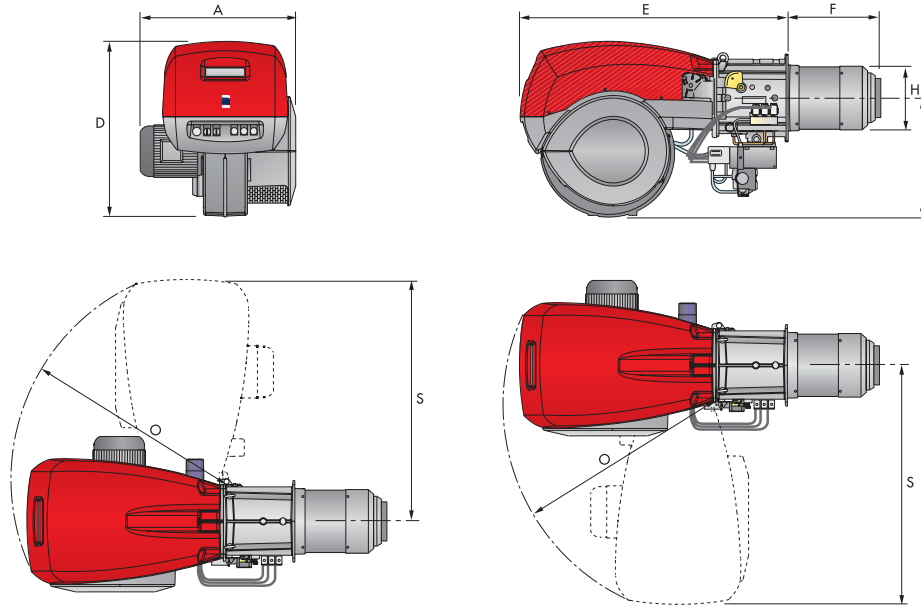
Test conditions conforming to EN267
 Temperature: 20°C
 Pressure: 1013,5 mbar
 Altitude: 0 m a.s.l.

Two Stage Light Oil Burners

RL/B MZ SERIES

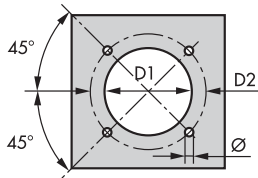
Overall dimensions (mm)

BURNER



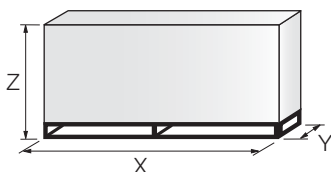
MODEL	A	D	E	F	H	I	O	S
▶ RL 300/B MZ	720	890	1325	510	313	605	1055	1175
▶ RL 400/B MZ	775	890	1325	510	313	605	1055	1175

BURNER - BOILER MOUNTING FLANGE



MODEL	D1	D2	Ø
▶ RL 300/B MZ	350	452	M18
▶ RL 400/B MZ	350	452	M18

PACKAGING



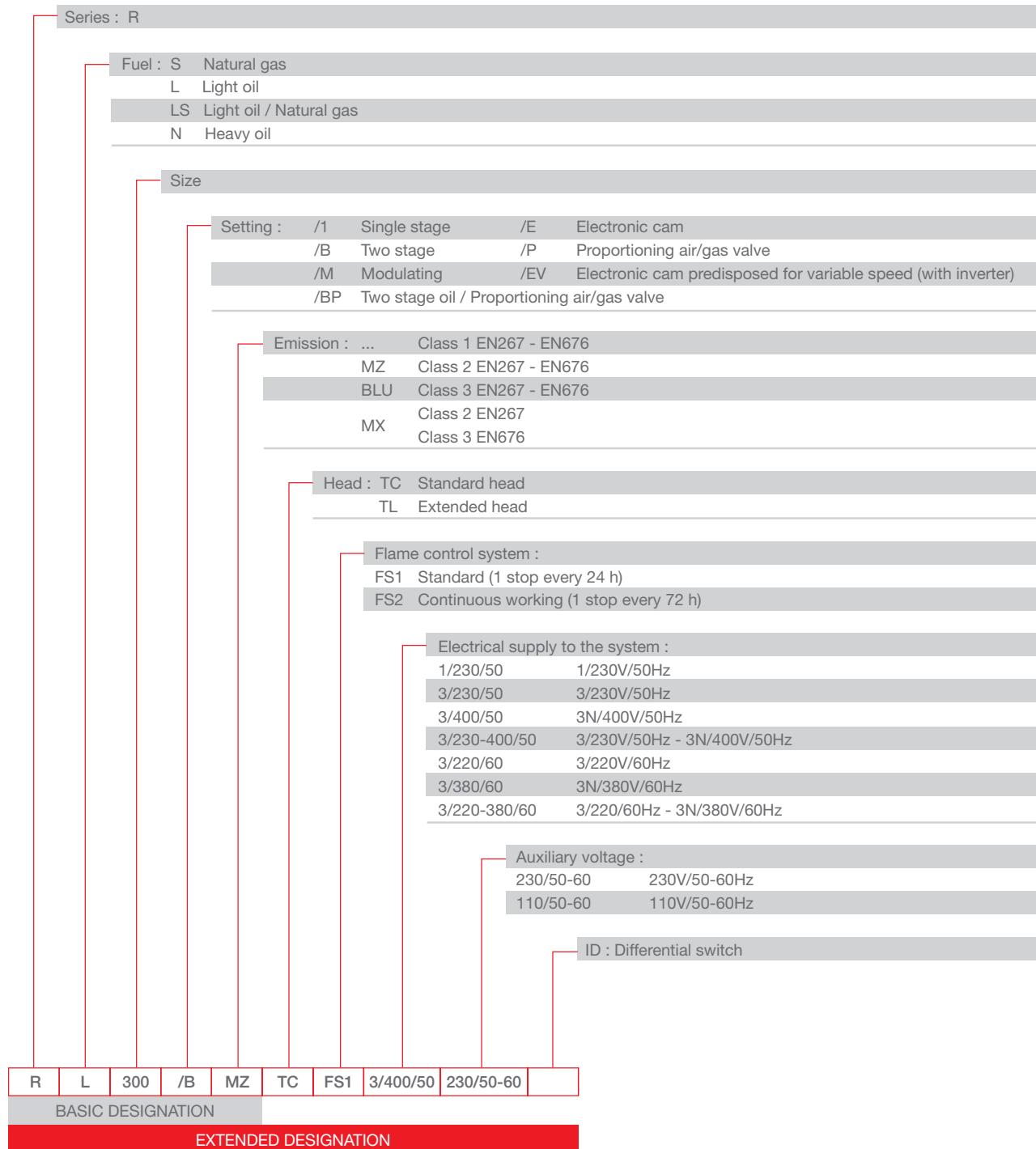
MODEL	X	Y	Z	kg
▶ RL 300/B MZ	1960	970	1100	235
▶ RL 400/B MZ	1960	970	1100	245

Two Stage Light Oil Burners

RL/B MZ SERIES

Specification

DESIGNATION OF SERIES



Two Stage Light Oil Burners

RL/B MZ SERIES

Specification

RL/B MZ SERIES - STATE OF SUPPLY

Monoblock forced draught gas burner with “two stage progressive” operation, fully automatic, made up of:

- Fan with reverse curve blades high performance with low sound emissions
- Air suction circuit lined with sound-proofing material
- Air damper for air setting controlled by a high precision servomotor
- Air pressure switch
- Fan starting motor at 2800 rpm, three-phase 230/400 - 400/690 V with neutral, 50Hz
- Low emission combustion head, that can be set on the basis of required output, fitted with:
 - stainless steel end cone, resistant to corrosion and high temperatures
 - ignition electrodes
 - flame stability disk
- Burner safety control box for controlling the system safety
- Star/triangle starter for the fan motor (only for RL 400/B MZ model)
- Main electrical supply terminal board
- Burner on/off switch
- Auxiliary voltage led signal
- Burner working led signal
- Contacts motor and thermal relay with release button
- Motor internal thermal protection
- Motor failure led signal
- Burner failure led signal and lighted release button
- Emergency button
- Coded connection plugs-sockets
- Burner opening hinge
- Lifting rings
- IP 54 electric protection level
- Gears pump for high pressure fuel supply
- Pump starting motor
- Oil safety valves
- Three oil valves (1st and 2nd stage 3rd safety valve)
- Photocell for flame detection
- Flame inspection window.

Standard equipment:

- 1 flange gasket
- 4 screws for fixing the flange
- 1 thermal screen
- 4 screws for fixing the burner flange to the boiler
- 2 flexible pipes for connection to the oil supply network
- 2 nipples for connection to the pump with gaskets.
- Instruction handbook for installation, use and maintenance
- Spare parts catalogue.

Available models

RL/B MZ SERIES - Burners

CODE	MODEL	HEAT OUTPUT		TOTAL ELECTRICAL POWER (kW)	CERTIFICATION	NOTE
		(kW)	(kg/h)			
3478410	RL 300/B MZ TC FS1 3/230-400/50 230/50-60	600/1250-3550	50/105-301	6	050790223001	
3478512	RL 400/B MZ TC FS1 3/400/50 230/50-60	1000/2000-4450	84/169-378	9	050790223001	

Net calorific value: 11,8 kWh/kg - 10200 kcal/kg - Viscosity at 20°C: 4-6 mm²/s (cSt)

The burners of RL/B MZ series are in according to 89/336 (2004/108) - 73/23 (2006/95) - 98/37 - 92/42 EC Directive and EN 267 Norm.

Burner accessories

Nozzles type 60° B



The nozzles must be ordered separately. The following table shows the features and codes on the basis of the maximum required fuel output.

NOTE: each burner needs N° 2 nozzles.

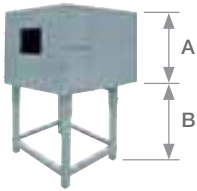
BURNER	GPH	RATED OUTPUT (kg/h)			NOZZLE CODE
		at 10 bar	at 12 bar	at 14 bar	
▶ RL/B MZ	12,00	44,2	48,7	53,0	3009950
▶ RL/B MZ	13,00	47,8	52,8	57,4	3009951
▶ RL/B MZ	14,00	51,5	56,9	61,8	3009952
▶ RL/B MZ	15,00	55,2	60,9	66,2	3009953
▶ RL/B MZ	16,00	58,9	65,0	70,6	3009954
▶ RL/B MZ	17,00	62,6	69,0	75,0	3009955
▶ RL/B MZ	18,00	66,2	73,1	79,4	3009956
▶ RL/B MZ	19,00	69,9	77,2	83,5	3009957
▶ RL/B MZ	20,00	73,6	81,2	88,3	3009958
▶ RL/B MZ	22,00	81,0	89,3	97,1	3009959
▶ RL/B MZ	24,00	88,3	97,5	105,9	3009960
▶ RL/B MZ	26,00	95,7	105,6	114,7	3009961
▶ RL/B MZ	28,00	103,1	113,7	123,6	3009962
▶ RL/B MZ	30,00	110,4	121,8	132,4	3009963
▶ RL/B MZ	35,00	128,8	142,1	154,5	3009964
▶ RL/B MZ	40,00	147,2	162,4	176,5	3009965
▶ RL/B MZ	45,00	165,6	182,7	198,6	3009966
▶ RL/B MZ	50,00	184,0	203,0	220,7	3009967
▶ RL/B MZ	55,00	202,4	223,4	242,7	3009968
▶ RL/B MZ	60,00	220,8	243,7	264,8	3009969
▶ RL/B MZ	65,00	239,2	264,0	286,9	3009970
▶ RL/B MZ	70,00	257,6	284,3	309,0	3009971

Two Stage Light Oil Burners

RL/B MZ SERIES

Burner accessories

Sound proofing box



If noise emission needs reducing even further, sound-proofing boxes are available.

BURNER	BOX TYPE	A (mm)	B (mm) min-max	[dB(A)] (*)	BOX CODE
▶ RL/B MZ	C7	1255	160 - 980	10	3010376

(*) Average noise reduction according to EN 15036-1 standard

PC Interface kit



To connect the control box to a personal computer for the transmission of operation, fault signals and detailed service information, an interface adapter with PC software are available.

BURNER	KIT CODE
▶ RL/B MZ	3002719

Spacer kit



If burner head penetration into the combustion chamber needs reducing, varying thickness spacers are available, as given in the following table:

BURNER	SPACER THICKNESS S (mm)	KIT CODE
▶ RL/B MZ	180	20008903