

## **GCH SERIES**

## **GCM SERIES**

## **GBJ SERIES**

Air supply fans allow to bring comburent air through the adduction channel to the combustion head in pressure and delivery conditions required from the application.

The air delivery processed from the fan is in a correct proportion to the fuel to guarantee the required burner output with a safe combustion. Performance tables help the fan selection among the available models.

All the models are pre-assembled and tested in factory in the respect of existing normatives so to permit the maximum installation facility.

<b>GCH SERIES</b>	800 ÷ 5000 m <sup>3</sup> /h	1800 ÷ 4800 Pa
<b>GCM SERIES</b>	4000 ÷ 9500 m <sup>3</sup> /h	1800 ÷ 4400 Pa
<b>GBJ SERIES</b>	3500 ÷ 20000 m <sup>3</sup> /h	2800 ÷ 10000 Pa



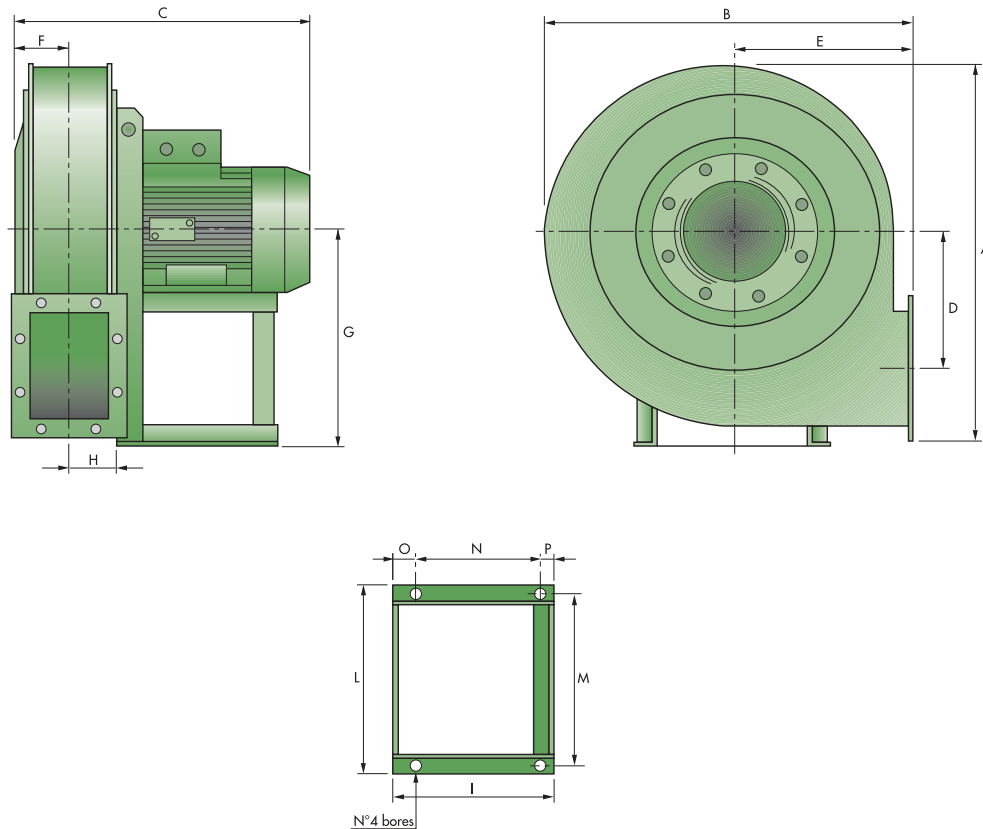
# Centrifugal Air Fans for Industrial Burners

## GCH - GCM - GBJ SERIES

### Overall dimensions (mm)

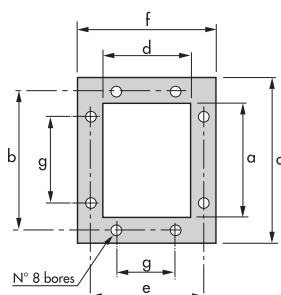
#### GCH SERIES

Fan and basement



MODEL	A	B	C	D	E	F	G	H	I	L	M	N	O	P
▶ GCH 04020	660	580	400	230	280	80	375	67	215	270	245	137	60	18
▶ GCH 05020	800	735	570	290	355	100	450	85	320	392	360	250	45	25
▶ GCH 05040	800	735	570	290	355	100	450	85	320	392	360	250	45	25

#### OUTLET FLANGE



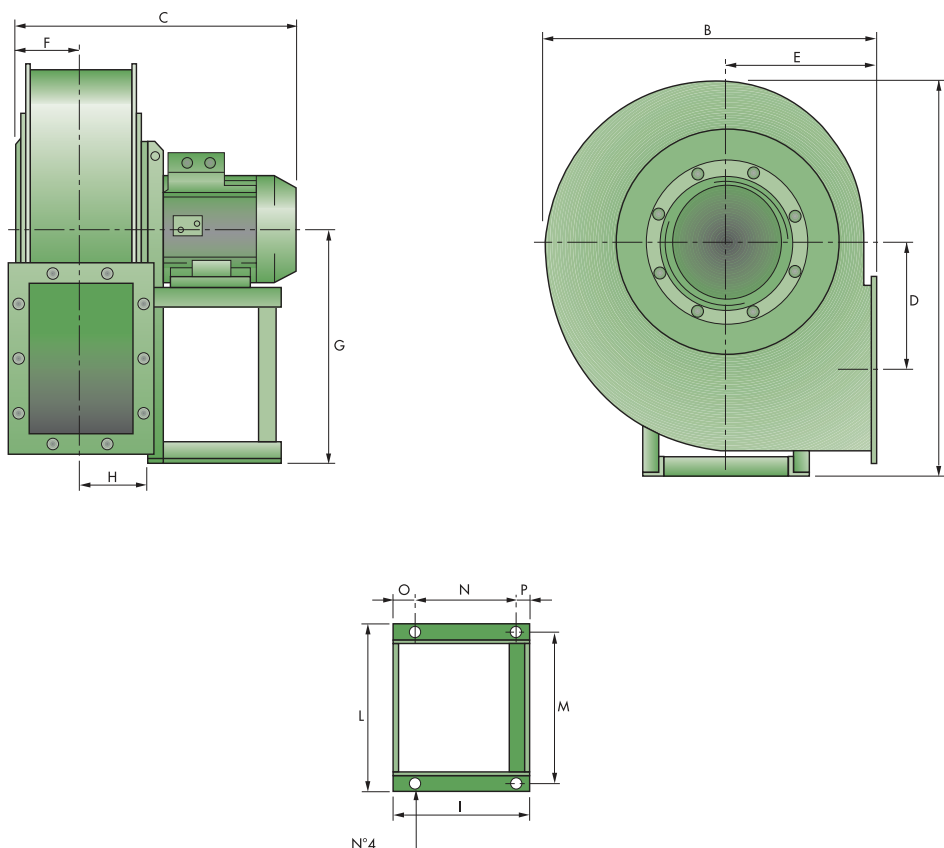
MODEL	a	b	c	d	e	f	g
▶ GCH 04020	180	219	250	125	167	195	112
▶ GCH 05020	224	265	294	160	200	230	112
▶ GCH 05040	224	265	294	160	200	230	112

## GCH - GCM - GBJ SERIES

### Overall dimensions (mm)

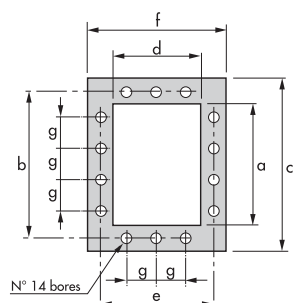
#### GCM SERIES

Fan and basement



MODEL	A	B	C	D	E	F	G	H	I	L	M	N	O	P
► GCM 04540	930	750	720	328	335	140	560	132	320	392	360	250	45	25
► GCM 05020	1010	840	750	365	355	160	630	148	320	392	360	250	45	25
► GCM 05040	1010	840	820	365	355	160	630	148	425	440	400	340	55	30

#### OUTLET FLANGE



MODEL	a	b	c	d	e	f	g
► GCM 04540	355	405	435	250	300	330	125
► GCM 05020	400	448	480	280	332	360	125
► GCM 05040	400	448	480	280	332	360	125

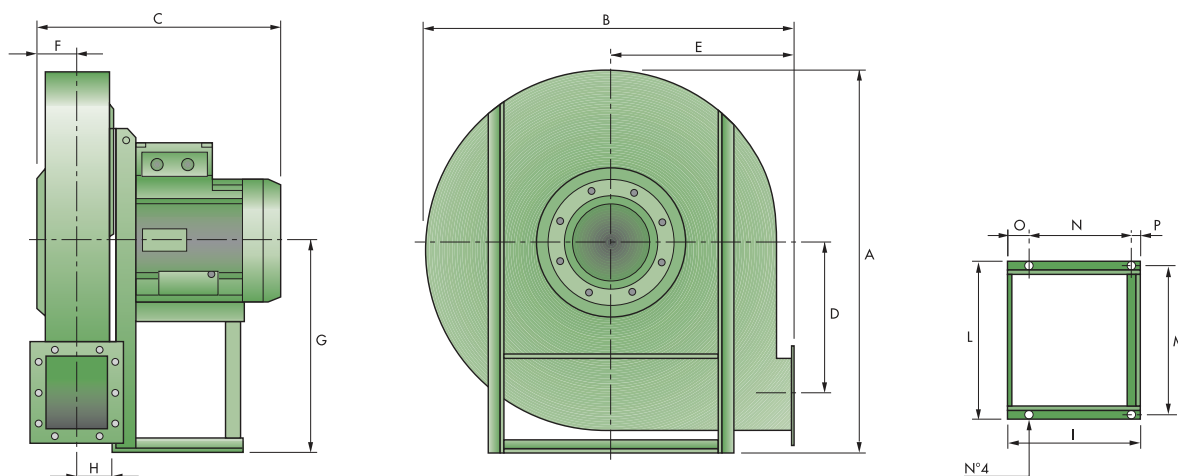
# Centrifugal Air Fans for Industrial Burners

## GCH - GCM - GBJ SERIES

### Overall dimensions (mm)

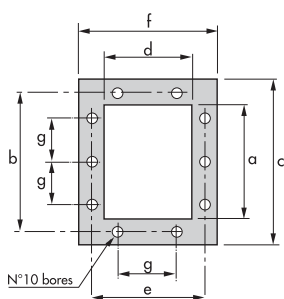
#### GBJ SERIES

Fan and basement



MODEL	A	B	C	D	E	F	G	H	I	L	M	N	O	P
▶ GBJ H05630	900	825	680	310	400	120	500	110	425	440	360	250	45	30
▶ GBJ H06320	1000	930	700	342	425	135	560	120	425	440	400	340	55	30
▶ GBJ H06330	1000	930	750	342	425	135	560	120	425	440	400	340	55	30
▶ GBJ H06380	1000	930	775	342	425	135	560	120	470	500	450	340	55	35
▶ GBJ H0712	1120	1000	825	382	475	145	630	135	500	570	510	385	75	40
▶ GBJ H0717	1120	1000	825	382	475	145	630	135	500	570	510	385	75	40
▶ GBJ I06310	1000	930	820	322	425	145	560	135	425	440	400	340	55	30
▶ GBJ I06320	1000	930	820	322	425	145	560	135	425	440	400	340	55	35
▶ GBJ I06360	1000	930	820	322	425	145	560	135	470	500	450	370	65	35
▶ GBJ I0710	1120	1000	1000	360	475	160	630	150	550	626	565	425	85	40
▶ GBJ I0712	1120	1000	710	360	475	160	630	150	320	392	360	250	45	25
▶ GBJ I0800A	1250	1120	750	405	530	180	710	170	320	320	392	360	45	25

#### OUTLET FLANGE



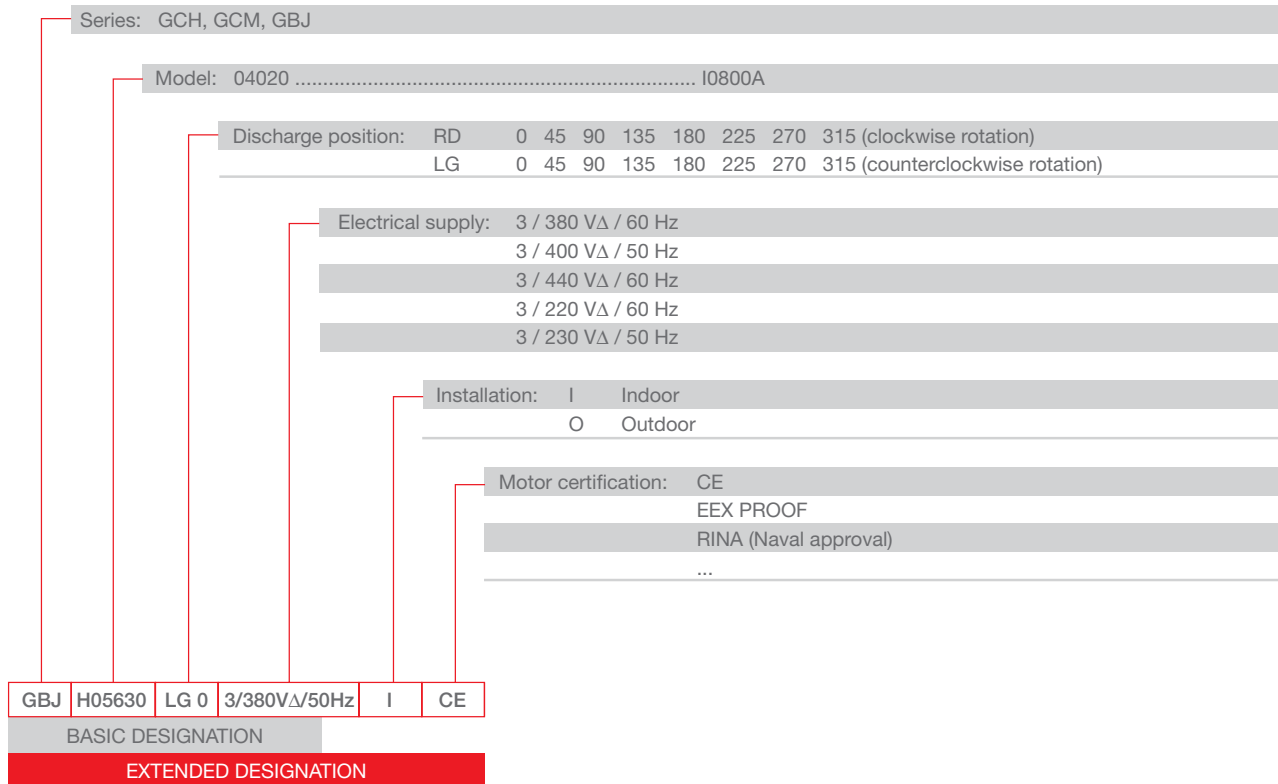
MODEL	a	b	c	d	e	f	g
▶ GBJ H05630	280	332	260	200	249	280	125
▶ GBJ H06320	315	366	395	224	273	304	125
▶ GBJ H06330	315	366	395	224	273	304	125
▶ GBJ H06380	315	366	395	224	273	304	125
▶ GBJ H0712	355	405	435	250	300	330	125
▶ GBJ H0717	355	405	435	250	300	330	125
▶ GBJ I06310	355	405	435	250	300	330	125
▶ GBJ I06320	355	405	435	250	300	330	125
▶ GBJ I06360	355	405	435	250	300	330	125
▶ GBJ I0710	400	448	480	280	332	360	125
▶ GBJ I0712	400	448	480	280	332	360	125
▶ GBJ I0800A	450	497	530	315	366	395	125

# Centrifugal Air Fans for Industrial Burners

## GCH - GCM - GBJ SERIES

# Specification

## DESIGNATION OF SERIES



## STATE OF SUPPLY

Air fan models of GBJ, GCM and GCH series are provided, already assembled and tested in the factory, packaged on pallets with protective plastic films.

The issue includes:

- centrifugal fan made up of a spiral-box which contains the fan wheel fitted on drive shaft
- three phases electrical motor
- intake protection grid
- vibration damping coupling outflow-end
- terminals for electrical connection
- handbook for installation, use and maintenance.

# Centrifugal Air Fans for Industrial Burners

## GCH - GCM - GBJ SERIES

### Technical data delivery and static pressure

FAN MODEL	GCH			GCM			GBJ											Air delivery in m <sup>3</sup> /s		
	04020	05020	05040	04540	05020	05040	H05630	H06320	I06310	H06330	I06320	I06360	H06380	H0712	H0717	I0710	I0712		I0800A	
10	277																			0,2
14	268																			0,2
18	254																			0,3
22	228																			0,4
25	209	452																		0,4
28	188	449	489																	0,5
31	162	447	487																	0,5
35		443	483																	0,6
40		433	473																	0,7
45		418	463																	0,8
50		396	451																	0,8
56		373	433	348			583													0,9
63		341	396	341	380		568													1,1
71		282	352	329	373	433	547	642		642										1,2
80		218	308	311	361	427	525	641	656	641	656		691							1,3
90			230	287	344	419	500	626	632	626	632	727	681							1,5
100				258	326	396	455	606	608	606	608	703	666							1,7
112				222	298	368	411	583	587	583	587	672	648	842	942	942				1,9
125				176	263	338	344	554	551	554	551	646	619	826	926	926	898			2,1
140				132	213	293	277			518	522	612	583	807	907	907	883			2,3
160					165	250				470	464	569	525	764	864	864	855	1028		2,7
180						180														3,0
200											332	457	383	652	752	752	785	995		3,3
225												363		568	658		735	956		3,8
250															562		684	916		4,2
280														427			592	862		4,7
315																	493	789		5,3
355																	356			5,9

Static pressure (mmH<sub>2</sub>O)

The features listed are referred to air at the temperature of +15°C and at the barometrical pressure of 760 mmHg with specific gravity 1,226 kg/m<sup>3</sup>  
Capacity tolerance: ± 5 %

## GCH - GCM - GBJ SERIES

### Available models

CODE	MODELS	TOTAL ELECTRICAL POWER		SOUND PRESSURE	NOTE
		INSTALLED (kW)	ABSORBED (kW)		
In progress	GCH 04020 RD 270 3/400 VΔ/50 Hz	1,5	1,4	72	
In progress	GCH 04020 LG 270 3/400 VΔ/50 Hz	1,5	1,4	72	
In progress	GCH 04020 RD 0 3/400 VΔ/50 Hz	1,5	1,4	72	
In progress	GCH 04020 LG 0 3/400 VΔ/50 Hz	1,5	1,4	72	
In progress	GCH 04020 RD 270 3/380 VΔ/60 Hz	1,5	1,4	72	
In progress	GCH 04020 LG 270 3/380 VΔ/60 Hz	1,5	1,4	72	
In progress	GCH 04020 RD 0 3/380 VΔ/60 Hz	1,5	1,4	72	
In progress	GCH 04020 LG 0 3/380 VΔ/60 Hz	1,5	1,4	72	
In progress	GCH 05020 RD 270 3/400 VΔ/50 Hz	5,5	5,2	78	
In progress	GCH 05020 LG 270 3/400 VΔ/50 Hz	5,5	5,2	78	
In progress	GCH 05020 RD 0 3/400 VΔ/50 Hz	5,5	5,2	78	
In progress	GCH 05020 LG 0 3/400 VΔ/50 Hz	5,5	5,2	78	
In progress	GCH 05020 RD 270 3/380 VΔ/60 Hz	5,5	5,2	78	
In progress	GCH 05020 LG 270 3/380 VΔ/60 Hz	5,5	5,2	78	
In progress	GCH 05020 RD 0 3/380 VΔ/60 Hz	5,5	5,2	78	
In progress	GCH 05020 LG 0 3/380 VΔ/60 Hz	5,5	5,2	78	
In progress	GCH 05040 RD 270 3/400 VΔ/50 Hz	7,5	7	80	
In progress	GCH 05040 LG 270 3/400 VΔ/50 Hz	7,5	7	80	
In progress	GCH 05040 RD 0 3/400 VΔ/50 Hz	7,5	7	80	
In progress	GCH 05040 LG 0 3/400 VΔ/50 Hz	7,5	7	80	
In progress	GCH 05040 RD 270 3/380 VΔ/60 Hz	7,5	7	80	
In progress	GCH 05040 LG 270 3/380 VΔ/60 Hz	7,5	7	80	
In progress	GCH 05040 RD 0 3/380 VΔ/60 Hz	7,5	7	80	
In progress	GCH 05040 LG 0 3/380 VΔ/60 Hz	7,5	7	80	
3891100	GCM 04540 RD 270 3/400 VΔ/50 Hz	7,5	7,1	82	
3891101	GCM 04540 LG 270 3/400 VΔ/50 Hz	7,5	7,1	82	
3891102	GCM 04540 RD 0 3/400 VΔ/50 Hz	7,5	7,1	82	
3891103	GCM 04540 LG 0 3/400 VΔ/50 Hz	7,5	7,1	82	
3891104	GCM 04540 RD 270 3/440 VΔ/60 Hz	7,5	7,1	82	
3891105	GCM 04540 LG 270 3/440 VΔ/60 Hz	7,5	7,1	82	
3891106	GCM 04540 RD 0 3/440 VΔ/60 Hz	7,5	7,1	82	
3891107	GCM 04540 LG 0 3/440 VΔ/60 Hz	7,5	7,1	82	
3891108	GCM 04540 RD 270 3/380 VΔ/60 Hz	7,5	7,1	82	
3891109	GCM 04540 LG 270 3/380 VΔ/60 Hz	7,5	7,1	82	
3891110	GCM 04540 RD 0 3/380 VΔ/60 Hz	7,5	7,1	82	
3891111	GCM 04540 LG 0 3/380 VΔ/60 Hz	7,5	7,1	82	
3891112	GCM 05020 RD 270 3/400 VΔ/50 Hz	9	8,7	83	
3891113	GCM 05020 LG 270 3/400 VΔ/50 Hz	9	8,7	83	
3891114	GCM 05020 RD 0 3/400 VΔ/50 Hz	9	8,7	83	
3891115	GCM 05020 LG 0 3/400 VΔ/50 Hz	9	8,7	83	
3891116	GCM 05020 RD 270 3/440 VΔ/60 Hz	9	8,7	83	
3891117	GCM 05020 LG 270 3/440 VΔ/60 Hz	9	8,7	83	

# Centrifugal Air Fans for Industrial Burners

## GCH - GCM - GBJ SERIES

### Available models

CODE	MODELS	TOTAL ELECTRICAL POWER		SOUND PRESSURE dB(A)	NOTE
		INSTALLED (kW)	ABSORBED (kW)		
3891118	GCM 05020 RD 0 3/440 VΔ/60 Hz	9	8,7	83	
3891119	GCM 05020 LG 0 3/440 VΔ/60 Hz	9	8,7	83	
3891120	GCM 05020 RD 270 3/380 VΔ/60 Hz	9	8,7	83	
3891121	GCM 05020 LG 270 3/380 VΔ/60 Hz	9	8,7	83	
3891122	GCM 05020 RD 0 3/380 VΔ/60 Hz	9	8,7	83	
3891123	GCM 05020 LG 0 3/380 VΔ/60 Hz	9	8,7	83	
3891124	GCM 05040 RD 270 3/400 VΔ/50 Hz	11	10,5	84	
3891125	GCM 05040 LG 270 3/400 VΔ/ 50 Hz	11	10,5	84	
3891126	GCM 05040 RD 0 3/400 VΔ/ 50 Hz	11	10,5	84	
3891127	GCM 05040 LG 0 3/400 VΔ/ 50 Hz	11	10,5	84	
3891128	GCM 05040 RD 270 3/440 VΔ/ 60 Hz	11	10,5	84	
3891129	GCM 05040 LG 270 3/440 VΔ/ 60 Hz	11	10,5	84	
3891130	GCM 05040 RD 0 3/440 VΔ/ 60 Hz	11	10,5	84	
3891131	GCM 05040 LG 0 3/440 VΔ/ 60 Hz	11	10,5	84	
3891132	GCM 05040 RD 270 3/380 VΔ/ 60 Hz	11	10,5	84	
3891133	GCM 05040 LG 270 3/380 VΔ/ 60 Hz	11	10,5	84	
3891134	GCM 05040 RD 0 3/380 VΔ/ 60 Hz	11	10,5	84	
3891135	GCM 05040 LG 0 3/380 VΔ/ 60 Hz	11	10,5	84	
3891136	GBJ H05630 RD 270 3/400 VΔ/ 50 Hz	11	10,5	88	
3891137	GBJ H05630 LG 270 3/400 VΔ/ 50 Hz	11	10,5	88	
3891138	GBJ H05630 RD 0 3/400 VΔ/ 50 Hz	11	10,5	88	
3891139	GBJ H05630 LG 0 3/400 VΔ/ 50 Hz	11	10,5	88	
3891140	GBJ H05630 RD 270 3/440 VΔ/ 60 Hz	11	10,5	88	
3891141	GBJ H05630 LG 270 3/440 VΔ/ 60 Hz	11	10,5	88	
3891142	GBJ H05630 RD 0 3/440 VΔ/ 60 Hz	11	10,5	88	
3891143	GBJ H05630 LG 0 3/440 VΔ/ 60 Hz	11	10,5	88	
3891144	GBJ H05630 RD 270 3/380 VΔ/ 60 Hz	11	10,5	88	
3891145	GBJ H05630 LG 270 3/380 VΔ/ 60 Hz	11	10,5	88	
3891146	GBJ H05630 RD 0 3/380 VΔ/ 60 Hz	11	10,5	88	
3891147	GBJ H05630 LG 0 3/380 VΔ/ 60 Hz	11	10,5	88	
3891148	GBJ H06320 RD 270 3/400 VΔ/ 50 Hz	15	14,5	91	
3891149	GBJ H06320 LG 270 3/400 VΔ/ 50 Hz	15	14,5	91	
3891150	GBJ H06320 RD 0 3/400 VΔ/ 50 Hz	15	14,5	91	
3891151	GBJ H06320 LG 0 3/400 VΔ/ 50 Hz	15	14,5	91	
3891152	GBJ H06320 RD 270 3/440 VΔ/ 60 Hz	15	14,5	91	
3891153	GBJ H06320 LG 270 3/440 VΔ/ 60 Hz	15	14,5	91	
3891154	GBJ H06320 RD 0 3/440 VΔ/ 60 Hz	15	14,5	91	
3891155	GBJ H06320 LG 0 3/440 VΔ/ 60 Hz	15	14,5	91	
3891156	GBJ H06320 RD 270 3/380 VΔ/ 60 Hz	15	14,5	91	
3891157	GBJ H06320 LG 270 3/380 VΔ/ 60 Hz	15	14,5	91	
3891158	GBJ H06320 RD 0 3/380 VΔ/ 60 Hz	15	14,5	91	
3891159	GBJ H06320 LG 0 3/380 VΔ/ 60 Hz	15	14,5	91	



## GCH - GCM - GBJ SERIES

### Available models

CODE	MODELS	TOTAL ELECTRICAL POWER		SOUND PRESSURE	NOTE
		INSTALLED (kW)	ABSORBED (kW)		
3891160	GBJ I06310 RD 270 3/400 VΔ/ 50 Hz	15	14,5	90	
3891161	GBJ I06310 LG 270 3/400 VΔ/ 50 Hz	15	14,5	90	
3891162	GBJ I06310 RD 0 3/400 VΔ/ 50 Hz	15	14,5	90	
3891163	GBJ I06310 LG 0 3/400 VΔ/ 50 Hz	15	14,5	90	
3891164	GBJ I06310 RD 270 3/440 VΔ/ 60 Hz	15	14,5	90	
3891165	GBJ I06310 LG 270 3/440 VΔ/ 60 Hz	15	14,5	90	
3891166	GBJ I06310 RD 0 3/440 VΔ/ 60 Hz	15	14,5	90	
3891167	GBJ I06310 LG 0 3/440 VΔ/ 60 Hz	15	14,5	90	
3891168	GBJ I06310 RD 270 3/380 VΔ/ 60 Hz	15	14,5	90	
3891169	GBJ I06310 LG 270 3/380 VΔ/ 60 Hz	15	14,5	90	
3891170	GBJ I06310 RD 0 3/380 VΔ/ 60 Hz	15	14,5	90	
3891171	GBJ I06310 LG 0 3/380 VΔ/ 60 Hz	15	14,5	90	
3891172	GBJ H06330 RD 270 3/400 VΔ/ 50 Hz	18,5	18	92	
3891173	GBJ H06330 LG 270 3/400 VΔ/ 50 Hz	18,5	18	92	
3891174	GBJ H06330 RD 0 3/400 VΔ/ 50 Hz	18,5	18	92	
3891175	GBJ H06330 LG 0 3/400 VΔ/ 50 Hz	18,5	18	92	
3891176	GBJ H06330 RD 270 3/440 VΔ/ 60 Hz	18,5	18	92	
3891177	GBJ H06330 LG 270 3/440 VΔ/ 60 Hz	18,5	18	92	
3891178	GBJ H06330 RD 0 3/440 VΔ/ 60 Hz	18,5	18	92	
3891179	GBJ H06330 LG 0 3/440 VΔ/ 60 Hz	18,5	18	92	
3891180	GBJ H06330 RD 270 3/380 VΔ/ 60 Hz	18,5	18	92	
3891181	GBJ H06330 LG 270 3/380 VΔ/ 60 Hz	18,5	18	92	
3891182	GBJ H06330RD 0 3/380 VΔ/ 60 Hz	18,5	18	92	
3891183	GBJ H06330 LG 0 3/380 VΔ/ 60 Hz	18,5	18	92	
3891184	GBJ I06320 RD 270 3/400 VΔ/ 50 Hz	18,5	18	90	
3891185	GBJ I06320 LG 270 3/400 VΔ/ 50 Hz	18,5	18	90	
3891186	GBJ I06320 RD 0 3/400 VΔ/ 50 Hz	18,5	18	90	
3891187	GBJ I06320 LG 0 3/400 VΔ/ 50 Hz	18,5	18	90	
3891188	GBJ I06320 RD 270 3/440 VΔ/ 60 Hz	18,5	18	90	
3891189	GBJ I06320 LG 270 3/440 VΔ/ 60 Hz	18,5	18	90	
3891190	GBJ I06320 RD 0 3/440 VΔ/ 60 Hz	18,5	18	90	
3891191	GBJ I06320 LG 0 3/440 VΔ/ 60 Hz	18,5	18	90	
3891192	GBJ I06320 RD 270 3/380 VΔ/ 60 Hz	18,5	18	90	
3891193	GBJ I06320 LG 270 3/380 VΔ/ 60 Hz	18,5	18	90	
3891194	GBJ I06320 RD 0 3/380 VΔ/ 60 Hz	18,5	18	90	
3891195	GBJ I06320 LG 0 3/380 VΔ/ 60 Hz	18,5	18	90	
3891196	GBJ I06360 RD 270 3/400 VΔ/ 50 Hz	22	21	92	
3891197	GBJ I06360 LG 270 3/400 VΔ/ 50 Hz	22	21	92	
3891198	GBJ I06360 RD 0 3/400 VΔ/ 50 Hz	22	21	92	
3891199	GBJ I06360 LG 0 3/400 VΔ/ 50 Hz	22	21	92	
3891200	GBJ I06360 RD 270 3/440 VΔ/ 60 Hz	22	21	92	
3891201	GBJ I06360 LG 270 3/440 VΔ/ 60 Hz	22	21	92	

# Centrifugal Air Fans for Industrial Burners

## GCH - GCM - GBJ SERIES

### Available models

CODE	MODELS	TOTAL ELECTRICAL POWER		SOUND PRESSURE dB(A)	NOTE
		INSTALLED (kW)	ABSORBED (kW)		
3891202	GBJ I06360 RD 0 3/440 VΔ/ 60 Hz	22	21	92	
3891203	GBJ I06360 LG 0 3/440 VΔ/ 60 Hz	22	21	92	
3891204	GBJ I06360 RD 270 3/380 VΔ/ 60 Hz	22	21	92	
3891205	GBJ I06360 LG 270 3/380 VΔ/ 60 Hz	22	21	92	
3891206	GBJ I06360 RD 0 3/380 VΔ/ 60 Hz	22	21	92	
3891207	GBJ I06360 LG 0 3/380 VΔ/ 60 Hz	22	21	92	
3891208	GBJ H06380 RD 270 3/400 VΔ/ 50 Hz	22	21	93	
3891209	GBJ H06380 LG 270 3/400 VΔ/ 50 Hz	22	21	93	
3891210	GBJ H06380 RD 0 3/400 VΔ/ 50 Hz	22	21	93	
3891211	GBJ H06380 LG 0 3/400 VΔ/ 50 Hz	22	21	93	
3891212	GBJ H06380 RD 270 3/440 VΔ/ 60 Hz	22	21	93	
3891213	GBJ H06380 LG 270 3/440 VΔ/ 60 Hz	22	21	93	
3891214	GBJ H06380 RD 0 3/440 VΔ/ 60 Hz	22	21	93	
3891215	GBJ H06380 LG 0 3/440 VΔ/ 60 Hz	22	21	93	
3891216	GBJ H06380 RD 270 3/380 VΔ/ 60 Hz	22	21	93	
3891217	GBJ H06380 LG 270 3/380 VΔ/ 60 Hz	22	21	93	
3891218	GBJ H06380 RD 0 3/380 VΔ/ 60 Hz	22	21	93	
3891219	GBJ H06380 LG 0 3/380 VΔ/ 60 Hz	22	21	93	
3891220	GBJ H0712 RD 270 3/400 VΔ/ 50 Hz	30	28	95	
3891221	GBJ H0712 LG 270 3/400 VΔ/ 50 Hz	30	28	95	
3891222	GBJ H0712 RD 0 3/400 VΔ/ 50 Hz	30	28	95	
3891223	GBJ H0712 LG 0 3/400 VΔ/ 50 Hz	30	28	95	
3891224	GBJ H0712 RD 270 3/440 VΔ/ 60 Hz	30	28	95	
3891225	GBJ H0712 LG 270 3/440 VΔ/ 60 Hz	30	28	95	
3891226	GBJ H0712 RD 0 3/440 VΔ/ 60 Hz	30	28	95	
3891227	GBJ H0712 LG 0 3/440 VΔ/ 60 Hz	30	28	95	
3891228	GBJ H0712 RD 270 3/380 VΔ/ 60 Hz	30	28	95	
3891229	GBJ H0712 LG 270 3/380 VΔ/ 60 Hz	30	28	95	
3891230	GBJ H0712 RD 0 3/380 VΔ/ 60 Hz	30	28	95	
3891231	GBJ H0712 LG 0 3/380 VΔ/ 60 Hz	30	28	95	
3891232	GBJ H0717 RD 270 3/400 VΔ/ 50 Hz	37	35	95	
3891233	GBJ H0717 LG 270 3/400 VΔ/ 50 Hz	37	35	95	
3891234	GBJ H0717 RD 0 3/400 VΔ/ 50 Hz	37	35	95	
3891235	GBJ H0717 LG 0 3/400 VΔ/ 50 Hz	37	35	95	
3891236	GBJ H0717 RD 270 3/440 VΔ/ 60 Hz	37	35	95	
3891237	GBJ H0717 LG 270 3/440 VΔ/ 60 Hz	37	35	95	
3891238	GBJ H0717 RD 0 3/440 VΔ/ 60 Hz	37	35	95	
3891239	GBJ H0717 LG 0 3/440 VΔ/ 60 Hz	37	35	95	
3891240	GBJ H0717 RD 270 3/380 VΔ/ 60 Hz	37	35	95	
3891241	GBJ H0717 LG 270 3/380 VΔ/ 60 Hz	37	35	95	
3891242	GBJ H0717 RD 0 3/380 VΔ/ 60 Hz	37	35	95	
3891243	GBJ H0717 LG 0 3/380 VΔ/ 60 Hz	37	35	95	

## GCH - GCM - GBJ SERIES

### Available models

CODE	MODELS	TOTAL ELECTRICAL POWER		SOUND PRESSURE	NOTE
		INSTALLED (kW)	ABSORBED (kW)		
3891244	GBJ I0710 RD 270 3/400 VΔ/ 50 Hz	37	35	94	
3891245	GBJ I0710 LG 270 3/400 VΔ/ 50 Hz	37	35	94	
3891246	GBJ I0710 RD 0 3/400 VΔ/ 50 Hz	37	35	94	
3891247	GBJ I0710 LG 0 3/400 VΔ/ 50 Hz	37	35	94	
3891248	GBJ I0710 RD 270 3/440 VΔ/ 60 Hz	37	35	94	
3891249	GBJ I0710 LG 270 3/440 VΔ/ 60 Hz	37	35	94	
3891250	GBJ I0710 RD 0 3/440 VΔ/ 60 Hz	37	35	94	
3891251	GBJ I0710 LG 0 3/440 VΔ/ 60 Hz	37	35	94	
3891252	GBJ I0710 RD 270 3/380 VΔ/ 60 Hz	37	35	94	
3891253	GBJ I0710 LG 270 3/380 VΔ/ 60 Hz	37	35	94	
3891254	GBJ I0710 RD 0 3/380 VΔ/ 60 Hz	37	35	94	
3891255	GBJ I0710 LG 0 3/380 VΔ/ 60 Hz	37	35	94	
3891256	GBJ I0712 RD 270 3/400 VΔ/ 50 Hz	45	42	94	
3891257	GBJ I0712 LG 270 3/400 VΔ/ 50 Hz	45	42	94	
3891258	GBJ I0712 RD 0 3/400 VΔ/ 50 Hz	45	42	94	
3891259	GBJ I0712 LG 0 3/400 VΔ/ 50 Hz	45	42	94	
3891260	GBJ I0712 RD 270 3/440 VΔ/ 60 Hz	45	42	94	
3891261	GBJ I0712 LG 270 3/440 VΔ/ 60 Hz	45	42	94	
3891262	GBJ I0712 RD 0 3/440 VΔ/ 60 Hz	45	42	94	
3891263	GBJ I0712 LG 0 3/440 VΔ/ 60 Hz	45	42	94	
3891264	GBJ I0712* RD 270 3/380 VΔ/ 60 Hz	45	42	94	
3891265	GBJ I0712* LG 270 3/380 VΔ/ 60 Hz	45	42	94	
3891266	GBJ I0712* RD 0 3/380 VΔ/ 60 Hz	45	42	94	
3891267	GBJ I0712* LG 0 3/380 VΔ/ 60 Hz	45	42	94	
3891268	GBJ I0800A RD 270 3/400 VΔ/ 50 Hz	55	50	95	
3891269	GBJ I0800A LG 270 3/400 VΔ/ 50 Hz	55	50	95	
3891270	GBJ I0800A RD 0 3/400 VΔ/ 50 Hz	55	50	95	
3891271	GBJ I0800A LG 0 3/400 VΔ/ 50 Hz	55	50	95	
3891272	GBJ I0800A RD 270 3/440 VΔ/ 60 Hz	55	50	95	
3891273	GBJ I0800A LG 270 3/440 VΔ/ 60 Hz	55	50	95	
3891274	GBJ I0800A RD 0 3/440 VΔ/ 60 Hz	55	50	95	
3891275	GBJ I0800A LG 0 3/440 VΔ/ 60 Hz	55	50	95	
3891276	GBJ I0800A* RD 270 3/380 VΔ/ 60 Hz	55	50	95	
3891277	GBJ I0800A* LG 270 3/380 VΔ/ 60 Hz	55	50	95	
3891278	GBJ I0800A* RD 0 3/380 VΔ/ 60 Hz	55	50	95	
3891279	GBJ I0800A* LG 0 3/380 VΔ/ 60 Hz	55	50	95	

\* Motor size 45-55 kW voltage supply 3/380 V/60 Hz are rewinded. Other electrical supply are available on request.

Noise level tolerance: + 3 dB

# Centrifugal Air Fans for Industrial Burners

## GCH - GCM - GBJ SERIES

### Fan accessories

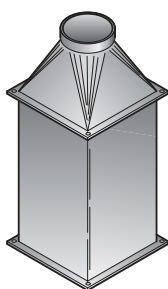
#### Fan silencers for GCM and GBJ models



Cylindrical/rectangular silencers in zinc sheet full of circular flange for mounting on the fans aspiration mouths.

Fan silencers for GCM models

SILENCER	SUCTION FLANGE	OUTLET FLANGE	FAN MODELS	LENGHT (m)	NOISE REDUCTION (dBA)	CODE
▶ GXS A 1032	GXS B32	GWA 0321L	GCM 04540	1	3-4	In progress
▶ GXS A 1035	GXS B35	GWA 0361L	GCM 05020	1	3-4	In progress
▶ GXS A 1035	GXS B35	GWA 0361L	GCM 05040	1	3-4	In progress



Fan silencers for GBJ models

SILENCER	SUCTION FLANGE (mm)	OUTLET FLANGE (mm)	FAN MODELS	LENGHT (m)	NOISE REDUCTION (dBA)	CODE
▶ GXS J1	400x800	350	GBJ H06320 GBJ I06310	2	3-4	In progress
▶ GXS J2	800x600	350	GBJ H05630 GBJ H06330	2	3-4	In progress
▶ GXS J3	800x750	400	GBJ H06380 GBJ I06320 GBJ I0710 GBJ I07120	2	3-4	In progress
▶ GXS J4	800x900	400	GBJ I06360 GBJ H07120	2	3-4	In progress
▶ GXS J5	800x1050	500	GBJ H07170	2	3-4	In progress
▶ GXS J6	1200x800	560	GBJ I0800A	2	3-4	In progress

## Fan accessories

### Circular DAPO' flow regulators for GCM and GBJ models



Flow rate regulators are used to vary the fan flow rate, so as to keep the efficiency high even during the operation. Available with manual and motor-driven operation.

Circular DAPO' flow regulators for GCM models

TYPE	BORES (n°)	WEIGHT (kg)	FAN MODELS	CODE
▶ GXH_0315	8	19	GCM 04540	In progress
▶ GXH_0355	8	21	GCM 05020	In progress
▶ GXH_0355	8	21	GCM 05040	In progress

Circular DAPO' flow regulators for GBJ models

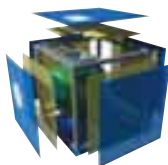
TYPE	BORES (n°)	WEIGHT (kg)	FAN MODELS	CODE
▶ GXH_0280	8	17	GBJ H05630	In progress
▶ GXH_0315	8	19	GBJ H06320	In progress
▶ GXH_0315	8	19	GBJ H06330	In progress
▶ GXH_0315	8	19	GBJ H06380	In progress
▶ GXH_0355	8	21	GBJ H0712	In progress
▶ GXH_0355	8	21	GBJ H0717	In progress
▶ GXH_0355	8	21	GBJ I06310	In progress
▶ GXH_0355	8	21	GBJ I06320	In progress
▶ GXH_0355	8	21	GBJ I06360	In progress
▶ GXH_0400	12	23	GBJ I0710	In progress
▶ GXH_0400	12	23	GBJ I0712	In progress
▶ GXH_0450	12	26	GBJ I0800A	In progress

# Centrifugal Air Fans for Industrial Burners

## GCH - GCM - GBJ SERIES

### Fan accessories

#### Sound proofing box



Used to dampen the fan noise during operation. In the standard version they are provided with:

- Vibration-damping joints between the fan panels and the suction and delivery flanges
- Flexible supports between the fan and the base
- Silenced circulation air intakes
- Lifting eyebolts
- Self-bearing chassis
- Removable inspection panels.

TYPE	DIMENSIONS (mm)	NOISE REDUCTION	FAN MODELS	CODE
▶ GXB 5H	1150x1110x1120	10-15 dB(A) at 2 m	GBJ H05630	In progress
▶ GXB 6H	1250x1250x1220	10-15 dB(A) at 2 m	GBJ H06320	In progress
▶ GXB 6H	1250x1250x1220	10-15 dB(A) at 2 m	GBJ H06330	In progress
▶ GXB 6H	1250x1250x1220	10-15 dB(A) at 2 m	GBJ H06380	In progress
▶ GXB 6I	1250x1250x1220	10-15 dB(A) at 2 m	GBJ I06310	In progress
▶ GXB 6I	1250x1250x1220	10-15 dB(A) at 2 m	GBJ I06320	In progress
▶ GXB 6I	1250x1250x1220	10-15 dB(A) at 2 m	GBJ I06360	In progress
▶ GXB 7H	1320x1250x1340	10-15 dB(A) at 2 m	GBJ H0712	In progress
▶ GXB 7H	1320x1250x1340	10-15 dB(A) at 2 m	GBJ H0717	In progress
▶ GB 7I	1320x1430x1340	10-15 dB(A) at 2 m	GBJ I0710	In progress
▶ GB 7I	1320x1430x1340	10-15 dB(A) at 2 m	GBJ I0712	In progress
▶ GXB 8I	1440x1500x1470	10-15 dB(A) at 2 m	GBJ I0800A	In progress

For all the fan models it is possible to predispose electrical motor for the application of inverter so to have variable fan rotation speed by varying frequency.